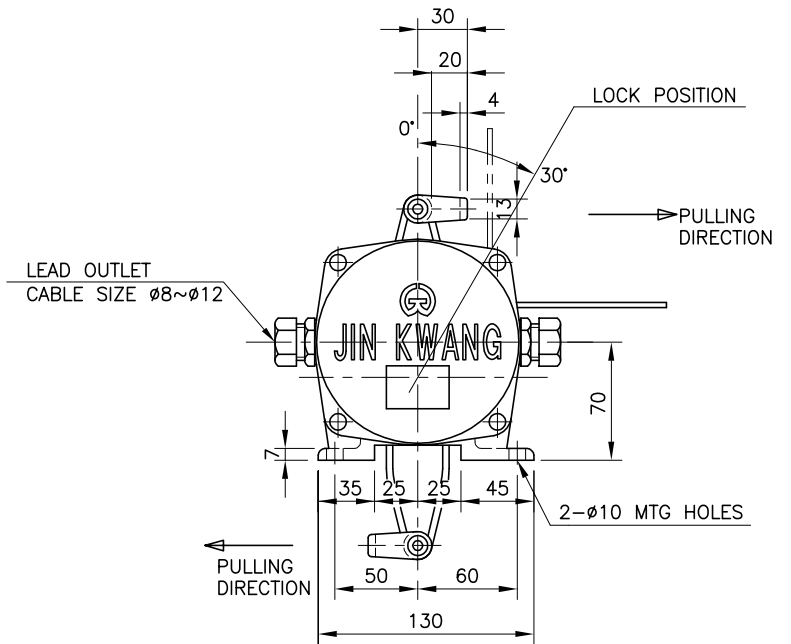
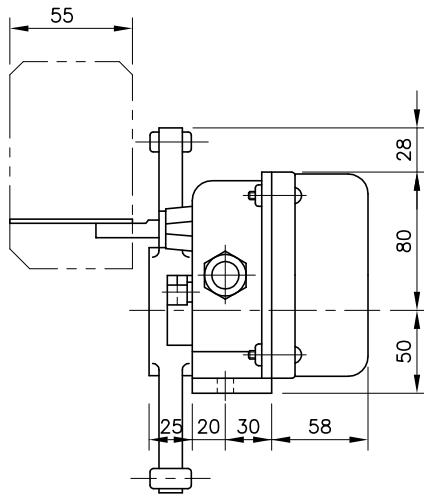
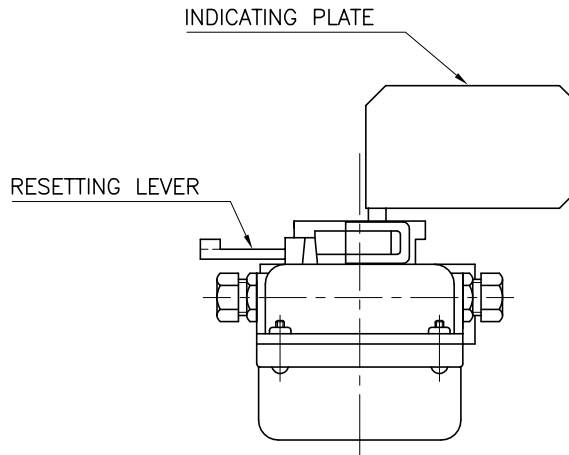
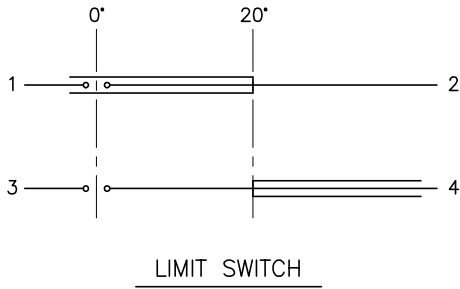


TYPE	CONTACT CAPACITY	COATING COLOR	QUANTITY
JLAW-31P	250V AC 5A	MUNSELL N-7.0	

IP54

Manual reset type



Dimensions are shown in "mm"

MESSRS.					
ORDER No.					
ACCEPT No.	QUANTITY	REVISION	DATE	CHECK'D	APP'D
株式会社 進光電機 JINKWANG ELECTRIC CO., LTD. PUSAN, KOREA	TITLE DIMENSION DIAGRAM PULL CORD SWITCH	DWG No. JLAW-31P			